

DORMIO[®]

Architectural Glass Solutions
GERMAN TECHNOLOGY



The Company

DOORMIO is one of the world's leading developers and manufactures of glass fittings accessories. DOORMIO offers full range of glass fittings are aesthetically designed and manufactured to provide practicality and security to tempered glass assemblies, such as tempered glass door fittings, spider fittings, floor spring, door closer, shower door hinges, glass clamps, glass connectors, handles and knobs, PVC seals, sliding door accessories and pivoting door system. Our goal is to provide clients with a level of service that wholly meets their expectations and satisfaction. And as the company continues to expand, we hope to go beyond representing merely your glass products supplier to become your preeminent business partners.

We pride ourselves on our creativity, advanced quality control and outstanding client service and together these have allowed us to gain an impressive and valuable market share with our products. Our recognized brand DOORMIO has been established on the basis of technical innovation and we are especially reputed in the glass industries.

Das Unternehmen

DOORMIO ist einer der weltweit führenden Entwickler und Hersteller von Glasbeschläge Zubehör. DOORMIO bietet vollständige Palette von Glasbeschlägen ästhetisch gestaltet und hergestellt werden Funktionalität und Sicherheit zu gehärtetem Glas Anordnungen zu schaffen, wie zum Beispiel aus gehärtetem Glas Türbeschläge, Spinnenbeschläge, Bodentürschließer, Türschließer, Duschtürbänder, Glasklemmen, Glasverbinder, Griffe und Knöpfe, Dichtungen PVC, Türzubehör und Schwenkschiebetürsystem. Unser Ziel ist es, Kunden mit einem Maß an Service zu bieten, die ganz ihren Erwartungen und Zufriedenheit erfüllt. Und da das Unternehmen weiter expandiert, hoffen wir, darüber hinaus und vertritt lediglich Ihre Glasprodukte Lieferanten zu gehen, um Ihre herausragende Geschäftspartner zu werden. Wir sind stolz auf unsere Kreativität, fortschrittliche Qualitätskontrolle und hervorragenden Kundendienst und gemeinsam diese haben uns erlaubt, eine beeindruckende und wertvolle Marktanteil mit unseren Produkten zu gewinnen. Unsere anerkannte Marke DOORMIO wurde auf der Grundlage der technischen Innovation gegründet und wir sind vor allem in den Glasindustrie den Ruf.

A close-up, high-angle photograph of a modern door handle mechanism. The handle is a long, rectangular, brushed metal plate with a dark, recessed channel running along its length. It is mounted on a cylindrical base that is attached to a door frame. The lighting is dramatic, highlighting the metallic textures and creating deep shadows.

PRODUCTS DIRECTORY ▶

HARDWARE RESEARCH &
DEVELOPMENT COMPANY

DOORMIO INTERNATIONAL
www.doormio.com

CONTENTS INTRODUCTION



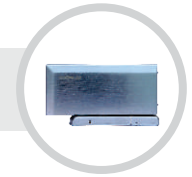
PATCH FITTING SERIES - 6 - 9

PATCH LOCK SERIES - 10 - 12



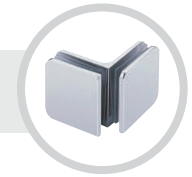
FLOOR SPRING SERIES - 13 - 17

HYDRAULIC HINGES - 18 - 19



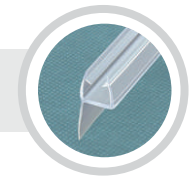
SHOWER ROD CONNECTORS - 20 - 21

GLASS CONNECTORS - 22 - 23



SHOWER HINGES - 24 - 27

PVC SEALS - 28 - 29



GLASS HANDLE SERIES - 30 - 31

SHOWER SLIDING DOORS - 32 - 33



SLIDING DOOR SERIES - 34 - 35

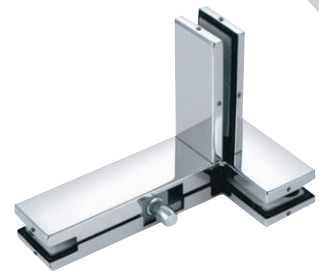
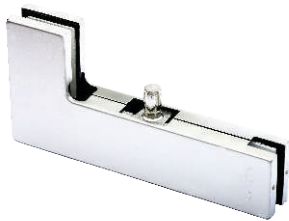
SPIDER FITTING SERIES - 36 - 39



AUTOMATIC SLIDING DOOR - 40 - 42



PATCH FITTING SERIES





GT 10 Bottom Patch
(German /Italy Spindle)

- Cover Plate : SS304
- Spindle: Stainless Steel
- Cover Plate Thickness: 0.80mm after polish
- Finish : PSS / SSS
- Body: Aluminium Alloy
- Screws: Stainless Steel
- Glass Thickness: 10-12mm



GT 20 Top Patch

- Cover Plate : SS304
- Body ; Aluminium Alloy
- Cover Plate Thickness: 0.80mm after polish
- Finish : PSS / SSS
- Spindle: German/Italy
- Screws: Stainless Steel
- Glass Thickness: 10-12mm



GT 30 Overpanel Patch

- Cover Plate : SS304
- Pivot: Steel
- Screws: Stainless Steel
- Finish : PSS / SSS
- Body ; Aluminium Alloy
- Cover Plate Thickness: 0.80mm after polish
- Glass Thickness: 10-12mm



GT 40 Corner Transom Patch
with Pivot

- Cover Plate : SS304
- Pivot: Steel
- Screws: Stainless Steel
- Finish : PSS / SSS
- Body ; Aluminium Alloy
- Cover Plate Thickness: 0.80mm after polish
- Glass Thickness: 10-12mm



GT 60A Corner Transom Connector with Stopper

- Cover Plate : SS304
- Cover Plate Thickness: 0.80mm after polish
- Finish : PSS / SSS
- Body: Aluminium Alloy
- Glass Thickness: 10-12mm



GT 63W Wall to Glass Connector

- Cover Plate : SS304
- Cover Plate Thickness: 0.80mm after polish
- Finish : PSS / SSS
- Body: Aluminium Alloy
- Glass Thickness: 10-12mm



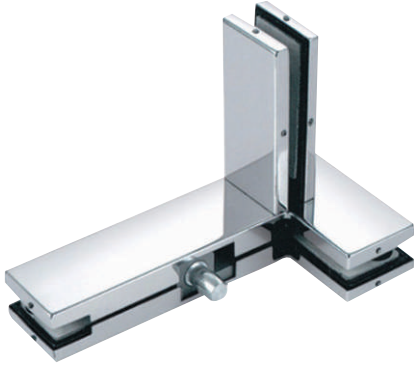
GT 582 Double Glass Connector

- Cover Plate : SS304
- Cover Plate Thickness: 0.80mm after polish
- Finish : PSS / SSS
- Body: Aluminium Alloy
- Glass Thickness: 10-12mm



GT 481 Wall to Glass Patch (Double Glass Connector)

- Cover Plate : SS304
- Cover Plate Thickness: 0.80mm after polish
- Finish : PSS / SSS
- Body: Aluminium Alloy
- Glass Thickness: 10-12mm



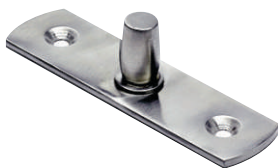
**GT 90 Corner Transom
with Fin**

- Cover Plate : SS304
- Cover Plate Thickness: 0.80mm after polish
- Finish : PSS/ SSS
- Body: Aluminium Alloy
- Glass Thickness: 10-12mm



**GT 81 Glass Connector
with Fin**

- Cover Plate : SS304
- Cover Plate Thickness: 0.80mm after polish
- Finish : PSS / SSS
- Body: Aluminium Alloy
- Glass Thickness: 10-12mm



G9 124 SUS Top Pivot

- Finish : SSS
- Material : Stainless Steel

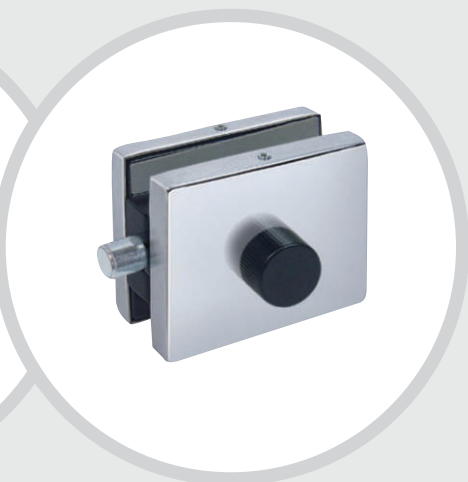


GT 80 4Glass Connector

- Cover Plate : SS304
- Cover Plate Thickness: 0.80mm after polish
- Finish: PSS/ SSS
- Body: Aluminium Alloy
- Glass Thickness: 10-12mm



PATCH LOCK SERIES





GL 010 Glass to Glass Lock
(Without Glass Cutout)

- Cover Plate : SS304
- Glass Thickness: 10-12mm
- Material: Stainless steel
- Finish : PSS



GL 33S Turn Knob Lock
(Without Glass Cutout)

- Cover Plate : SS304
- Glass Thickness: 10-12mm
- Material: Stainless steel
- Finish : PSS/ SSS



GL 201 Glass to wall & Glass to Glass lock
(Without Glass Cutout)

- Cover Plate : SS304
- Glass Thickness: 10-12mm
- Material: Stainless steel
- Finish : PSS/ SSS



GL 52S

GL 52K

GL 52S, GL 52K Turn Knob Lock

- Cover Plate : SS304
- Glass Thickness: 10-12mm
- Material: Stainless steel, Aluminium Alloy
- Finish : PSS/ SSS



GT 54S Corner Patch Lock
G9 139 Floor Socket

- Cover Plate : SS304
- Cylinder: Brass
- Lock Tongue : Stainless steel
- Finishing: PSS/ SSS
- Body: Aluminium Alloy
- Glass Thickness: 10-12mm
- Material: Stainless steel



GL 50S Centre Patch Lock

- Cover Plate : SS304
- Cylinder: Brass
- Lock Tongue : Stainless steel
- Finishing: PSS/ SSS
- Body: Aluminium Alloy
- Glass Thickness: 10-12mm
- Material: Stainless steel



GL 50K Strike Box

- Cover Plate : SS304
- Glass Thickness: 10-12mm
- Finishing: PSS/ SSS
- Body: Aluminium Alloy
- Material: Stainless steel



GL 34S Patch Lock

- Cover Plate : SS304
- Cylinder: Brass
- Material: Stainless steel
- Body: Aluminium Alloy
- Glass Thickness: 10-12mm
- Finishing: PSS/ SSS



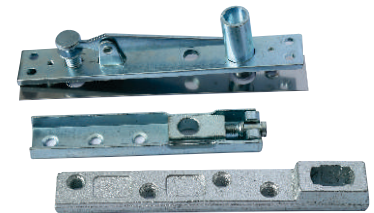
FLOOR SPRING SERIES



GTS 65D Floor Hinge



GTA
Aluminium/ wooden
door accessories

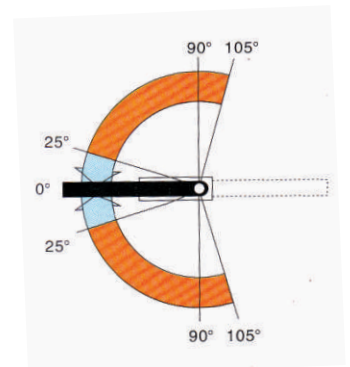
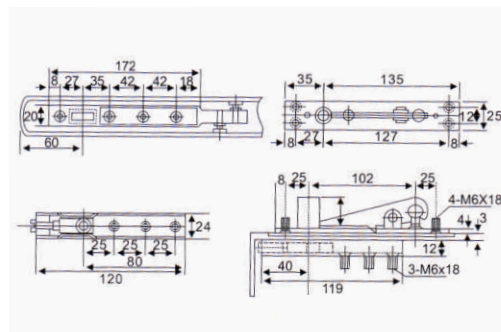
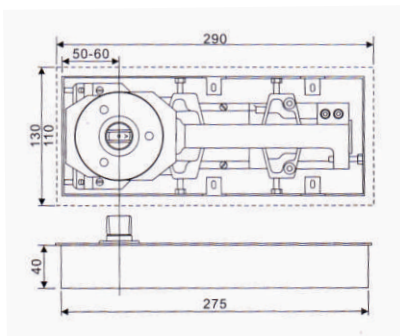


Product Size

- ▶ Cement Box Size: 275 x 110x 40mm
- ▶ Cover Size: 290 x 130mm
- ▶ Front and Back Adjust \pm 5mm

Performance Specification

- ▶ Cylinder: Single
- ▶ Capacity: 60 - 80kg
- ▶ Door Width: 900mm
- ▶ Maximum Closing Time \geq 46s
- ▶ Minimum Closing Time \geq 3s
- ▶ Max Open Degree 105°
- ▶ 90° HO or NHO
- ▶ Two Sections Speed Valve
- ▶ Closing Speed 90° -25°
- ▶ Latching Speed: 25° -0°



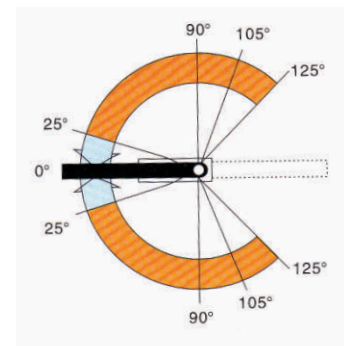
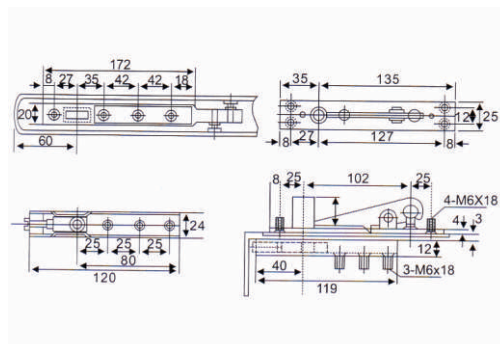
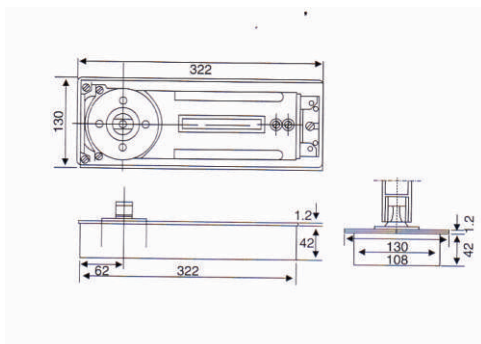
GT 90D Floor Hinge



Product Size

Performance Specification

- Cement Box Size: 310 x 110x 42mm
- Cover Size: 320 x 130mm
- Front and Back Adjust \pm 5mm
- Cylinder: Double
- Capacity: 90 -120kg
- Door Width: 1000mm
- Maximum Closing Time $>$ 46s
- Minimum Closing Time $>$ 3s
- Max Open Degree 105° or 125°
- 90° HO or NHO
- Two Sections Speed Valve
- Closing Speed $90^\circ -25^\circ$
- Latching Speed: $25^\circ -0^\circ$



GTS 80D Floor Hinge



Performance Specification

- Cylinder: Single
- Capacity: 60 - 80kg
- Door Width: 900mm
- Maximum Closing Time \geq 46s
- Minimum Closing Time \geq 3s
- Max Open Degree 105°
- 90° HO or NHO
- Two Sections Speed Valve
- Closing Speed 90° -25°
- Latching Speed: 25° -0°

GT 90D Plus

Floor Hinge

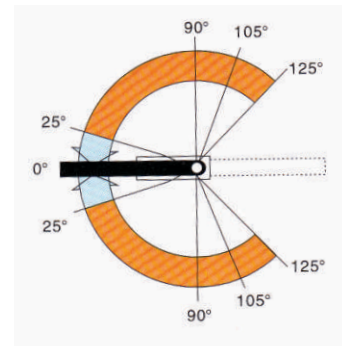
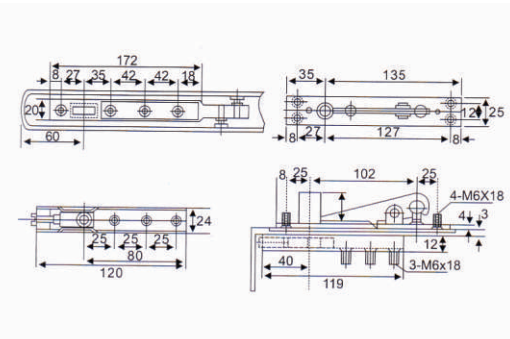
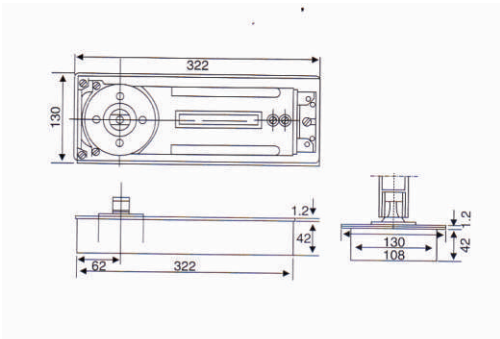


Product Size

- ▶ Cement Box Size: 310 x 110x 42mm
- ▶ Cover Size: 320 x 130mm
- ▶ Front and Back Adjust ± 5 mm

Performance Specification

- ▶ Cylinder: Double
- ▶ Capacity: 130 -140kg
- ▶ Door Width: 1400mm
- ▶ Maximum Closing Time ≥ 46 s
- ▶ Minimum Closing Time ≥ 3 s
- ▶ Max Open Degree 105° or 125°
- ▶ 90 HO or NHO
- ▶ Two Sections Speed Valve
- ▶ Closing Speed $90^\circ -25^\circ$
- ▶ Latching Speed: $25^\circ -0^\circ$





HYDRAULIC HINGES



GTS 80 S



- ▶ Suitable Door weight: Max 80kg
- ▶ Door width: 750 - 900mm
- ▶ Suitable Door Thickness: 8 -12mm
- ▶ Finish: SSS
- ▶ Material: Stainless Steel
- ▶ Grade: SS304

GTS 80 M



- ▶ Suitable Door weight: Max 80kg
- ▶ Door width: 750 - 900mm
- ▶ Suitable Door Thickness: 8 -12mm
- ▶ Finish: PSS
- ▶ Material: Stainless Steel
- ▶ Grade: SS304



SHOWER ROD CONNECTORS





GSH 1

Wall to Pipe Connector

- Materials: Stainless steel **SS304**
- Finish: PSS
- Suitable diameter: $\varnothing 19, \varnothing 25$



GSH 3

Onside Closed Connector

- Materials: Stainless steel **SS304**
- Finish: PSS
- Suitable diameter: $\varnothing 19, \varnothing 25$



GSH 4

Adjustable Pipe Clamp

- Materials: Stainless steel **SS304**
- Finish: PSS
- Suitable diameter: $\varnothing 19, \varnothing 25$



GSH 5

Rod Supporter from Glass

- Materials: Stainless steel **SS304**
- Finish: PSS
- Suitable diameter: $\varnothing 19, \varnothing 25$



GSH 8

Pipe to Pipe 90°

- Materials: Stainless steel **SS304**
- Finish: PSS
- Suitable diameter: $\varnothing 19, \varnothing 25$



GSH 9

T Pipe Connector

- Materials: Stainless steel **SS304**
- Finish: PSS
- Suitable diameter: $\varnothing 19, \varnothing 25$



GS HB 1

Wall to Pipe Connector

- Materials: Brass
- Finish: Brass/CP
- Suitable diameter: $\varnothing 19, \varnothing 25$



GS HB 3

Onside Closed Connector

- Materials: Brass
- Finish: Brass/CP
- Suitable diameter: $\varnothing 19, \varnothing 25$



GS HB 4

Adjustable Pipe Clamp

- Materials: Brass
- Finish: Brass/CP
- Suitable diameter: $\varnothing 19, \varnothing 25$



GS HB 5

Rod Supporter from Glass

- Materials: Brass
- Finish: Brass/CP
- Suitable diameter: $\varnothing 19, \varnothing 25$



GS HB 8

Pipe to Pipe 90°

- Materials: Brass
- Finish: Brass/CP
- Suitable diameter: $\varnothing 19, \varnothing 25$



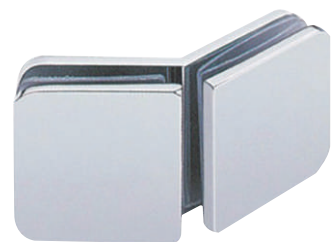
GS HB 9

T Pipe Connector

- Materials: Brass
- Finish: Brass/CP
- Suitable diameter: $\varnothing 19, \varnothing 25$



GLASS CONNECTORS





GGC 1

Wall to Glass

- Materials: Stainless steel **SS304**
- Finish: PSS
- Glass Thickness : 8 -10mm



GGC 2

Glass to Glass 90°

- Materials: Stainless steel **SS304**
- Finish: PSS
- Glass Thickness : 8 -10mm



GGC 3

Wall to Glass 90°

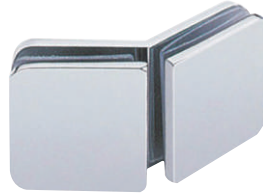
- Materials: Stainless steel **SS304**
- Finish: PSS
- Glass Thickness : 8 -10mm



GGC 4

Wall to Glass 180°

- Materials: Stainless steel **SS304**
- Finish: PSS
- Glass Thickness : 8 -10mm



GGC 5

Glass to Glass 135°

- Materials: Stainless steel **SS304**
- Finish: PSS
- Glass Thickness : 8 -10mm



GGC 6

Glass to Glass 180°

- Materials: Stainless steel **SS304**
- Finish: PSS
- Glass Thickness : 8 -10mm



GGCB 1

Wall to Glass

- Materials: Brass
- Finish: Brass /CP
- Glass Thickness : 8 -10mm



GGCB 2

Glass to Glass 90°

- Materials: Brass
- Finish: Brass /CP
- Glass Thickness : 8 -10mm



GGCB 3

Wall to Glass 90°

- Materials: Brass
- Finish: Brass /CP
- Glass Thickness : 8 -10mm



GGCB 4

Wall to Glass 180°

- Materials: Brass
- Finish: Brass /CP
- Glass Thickness : 8 -10mm



GGCB 5

Glass to Glass 135°

- Materials: Brass
- Finish: Brass /CP
- Glass Thickness : 8 -10mm



GGCB 6

Glass to Glass 180°

- Materials: Brass
- Finish: Brass /CP
- Glass Thickness : 8 -10mm



SHOWER HINGES





GS 2

Wall to Glass One Side Plate

- Materials: SS304
- Finish: PSS/ CP
- Glass Thickness : 8 -10mm



GS 6

Glass to Glass 90°

- Materials:Stainless steel **SS304**
- Finish: PSS
- Glass Thickness : 8 -10mm



GS 1B

Wall to Glass

- Materials: Brass
- Finish: CP
- Glass Thickness : 8 -10mm



GS 3B

Glass to Glass 135°

- Materials: Brass
- Finish: CP
- Glass Thickness : 8 -10mm



GS 1

Wall to Glass

- Materials:Stainless steel **SS304**
- Finish: PSS
- Glass Thickness : 8 -10mm



GS 3

Glass to Glass 135°

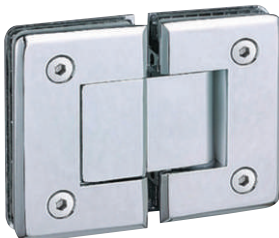
- Materials:Stainless steel **SS304**
- Finish: PSS
- Glass Thickness : 8 -10mm



GS 4

Fixed Clip

- Materials:Stainless steel **SS304**
- Finish: PSS
- Glass Thickness : 8 -10mm



GS 5

Glass to Glass 180°

- Materials:Stainless steel **SS304**
- Finish: PSS
- Glass Thickness : 8 -10mm



GS 4B
Fixed Clip

- Materials: Brass
- Finish: CP
- Glass Thickness : 8 -10mm



GS 5B
Glass to Glass 180°

- Materials: Brass
- Finish: CP
- Glass Thickness : 8 -10mm



GS 2B
Wall to Glass One Side Plate

- Materials: Brass
- Finish: CP
- Glass Thickness : 8 -10mm



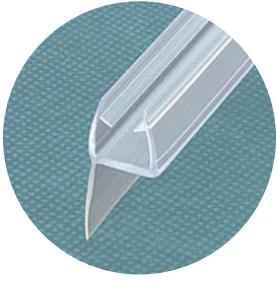
GS 6B
Glass to Glass 90°

- Materials: Brass
- Finish: CP
- Glass Thickness : 8 -10mm



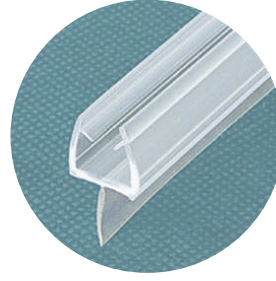
PVC SEALS





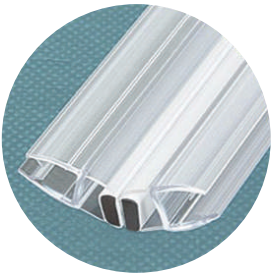
GPS 204 (Soft & Hard)
Glass Door Water Proof Strip

A	B	C
8mm	10mm	12mm



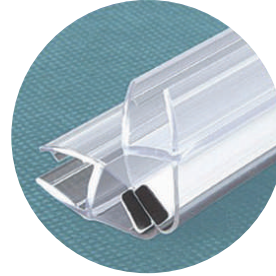
GPS 205
Glass Door Water Proof Strip

A	B	C
8mm	10mm	12mm



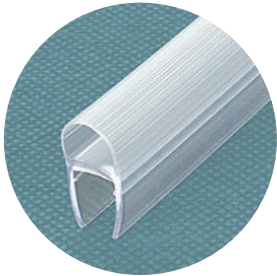
GPS 209 M
Glass Door Magnetic Strip

A	B	C
8mm	10mm	12mm



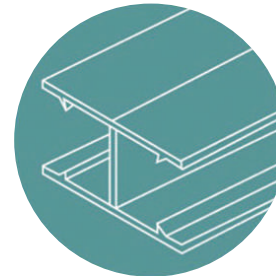
GPS 210
Glass Door Magnetic Strip

A	B	C
8mm	10mm	12mm



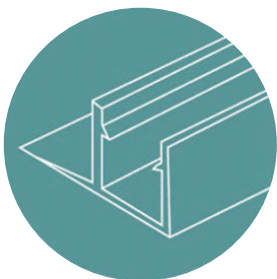
GPS 212
Glass Door Water Proof Strip

A	B	C
8mm	10mm	12mm



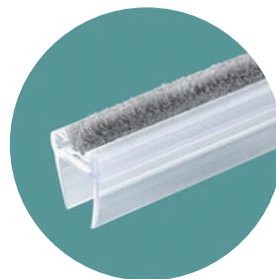
GPS 213
Glass Door Water Proof Strip

A	B	C
8mm	10mm	12mm



GPS 214
Glass Door Water Proof Strip

A	B	C
8mm	10mm	12mm



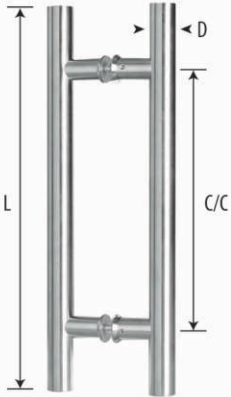
GPS 216

A	B	C
8mm	10mm	12mm



GLASS HANDLE SERIES

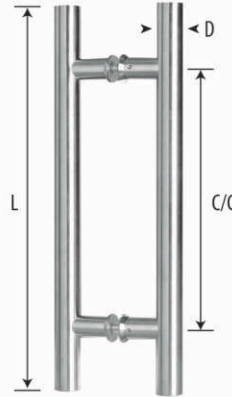




GH 01

Material: Stainless Steel
Finish: PSS

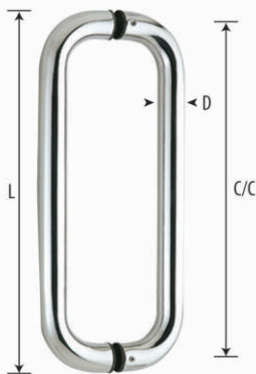
Item Code	Dia	C/C	Length
GH 01	25	203	350
GH 01 A	25	300	450
GH 01 B	32	300	450
GH 01 C	32	400	600
GH 01 D	32	800	1200



GH 02

Material: Stainless Steel
Finish: SSS

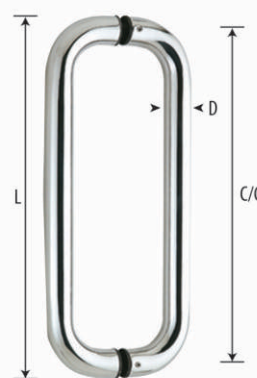
Item Code	Dia	C/C	Length
GH 02	25	203	350
GH 02 A	25	300	450
GH 02 B	32	300	450
GH 02 C	32	400	600
GH 02 D	32	800	1200



GI 01

Material: Stainless Steel
Finish: PSS

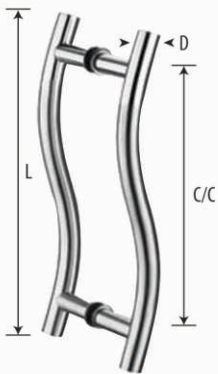
Item Code	Dia	C/C	Length
GI 01 A	32	300	332
GI 01 B	25	300	325



GI 02

Material: Stainless Steel
Finish: SSS

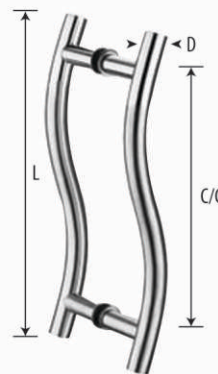
Item Code	Dia	C/C	Length
GI 02 A	32	300	332
GI 02 B	25	300	325



GS 01

Material: Stainless Steel
Finish: PSS

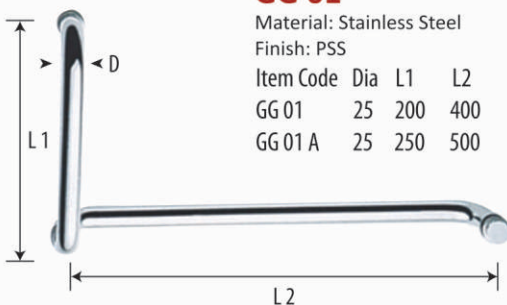
Item Code	Dia	C/C	Length
GS 01 A	25	300	450
GS 01 B	32	300	450
GS 01 C	32	400	600



GS 02

Material: Stainless Steel
Finish: SSS

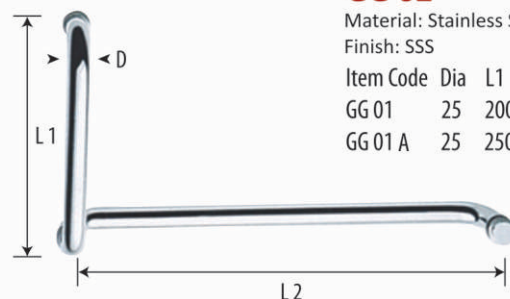
Item Code	Dia	C/C	Length
GS 01 A	25	300	450
GS 01 B	32	300	450
GS 01 C	32	400	600



GG 01

Material: Stainless Steel
Finish: PSS

Item Code	Dia	L1	L2
GG 01	25	200	400
GG 01 A	25	250	500



GG 02

Material: Stainless Steel
Finish: SSS

Item Code	Dia	L1	L2
GG 01	25	200	400
GG 01 A	25	250	500



SHOWER SLIDING DOORS



GLM 80

Shower Sliding Door System
50 - 65kg



A002-1-2

Material: Stainless Steel
Grade: **SS304**
Finish: PSS



A002-2-2

Material: Stainless Steel
Grade: **SS304**
Finish: PSS



A002-3-2

Material: Stainless Steel
Grade: **SS304**
Finish: PSS



A002-4-2

Material: Stainless Steel
Grade: **SS304**
Finish: PSS



A002-5-2

Material: Stainless Steel
Grade: **SS304**
Finish: PSS



A002-6-1

Material: Stainless Steel
Grade: **SS304**
Finish: PSS



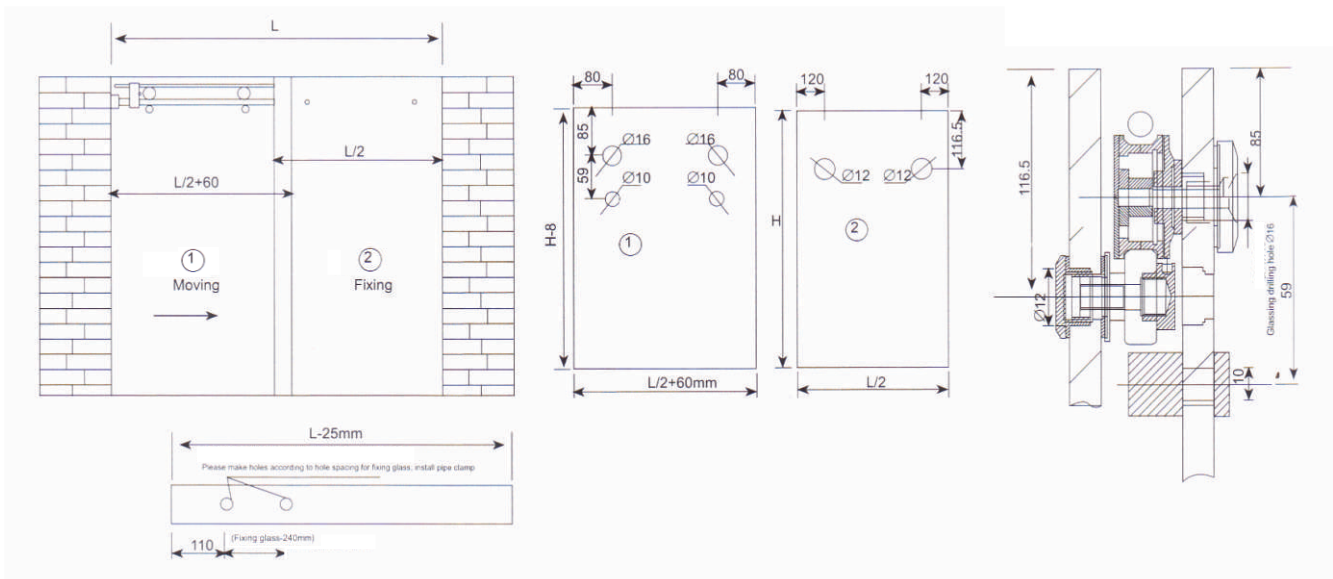
A002-7-1

Material: Stainless Steel
Grade: **SS304**
Finish: PSS



A002-8-1 30X10

Material: Stainless Steel
Grade: **SS304**
Finish: PSS





SLIDING DOOR SERIES





Glass Hanging Wheel

Material: Stainless Steel
Grade: **SS304**
Finish: PSS
Glass weight : 120Kg



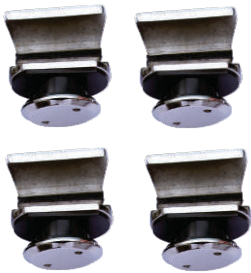
Door Stoper

Material: Stainless Steel
Grade: **SS304**
Finish: PSS
Diameter : $\Phi 25$



Endpiece

Material: Stainless Steel
Finish: PSS



Clamp Fixing for track

Material: Stainless Steel
Grade: **SS304**
Finish: PSS
Diameter : $\Phi 25$



Floor guide

Material: Stainless Steel
Grade: **SS304**
Finish: PSS

SLIDING DOOR HANDLE



**GLM H1
Door Handle**

Material: Stainless Steel
Grade: **SS304**
Finish: PSS



**GLM H2
Door Handle**

Material: Stainless Steel
Grade: **SS304**
Finish: PSS



SPIDER FITTING SERIES





GS 200A 4

- 4 Way Spider with Articulated Bolt
- Material: Stainless Steel
- Grade: **SS304/SS316**
- Finish: PSS



GS 200A 2A

- 2 Way Spider with Articulated Bolt /90°
- Material: Stainless Steel
- Grade: **SS304/SS316**
- Finish: PSS



GS 200A 2B

- 2 Way Spider with Articulated Bolt/180°
- Material: Stainless Steel
- Grade: **SS304/SS316**
- Finish: PSS



GS 200A 1B

- 1 Way Spider with Articulated Bolt
- Material: Stainless Steel
- Grade: **SS304/SS316**
- Finish: PSS



GSR A

- Articulated Bolt
- Material: Stainless Steel
- Grade: **SS304/SS316**
- Finish: PSS



GS 200F 4B

4 Way Fin Spider with Articulated Bolt

- Material: Stainless Steel
- Grade: **SS304/SS316**
- Finish: PSS



GS 200F 2B

2 Way Fin Spider with Articulated Bolt/ 180°

- Material: Stainless Steel
- Grade: **SS304/SS316**
- Finish: PSS



GS 200F 2A

2 Way Fin Spider with Articulated Bolt/ 90°

- Material: Stainless Steel
- Grade: **SS304/SS316**
- Finish: PSS



GS 200F 1A

1 Way Fin Spider with Articulated Bolt

- Material: Stainless Steel
- Grade: **SS304/SS316**
- Finish: PSS



GSR F

Fixed Bolt

- Material: Stainless Steel
- Grade: **SS304/SS316**
- Finish: PSS



GS 200D 4

Four Way Spider

- Material: Stainless Steel
- Grade: **SS304/SS316**
- Finish: PSS



GS 200D 2A

Two Way Spider 180°

- Material: Stainless Steel
- Grade: **SS304/SS316**
- Finish: PSS



GS 200D 2B

Two Way Spider 90°

- Material: Stainless Steel
- Grade: **SS304/SS316**
- Finish: PSS



GS 200D 1B

One Way Spider

- Material: Stainless Steel
- Grade: **SS304/SS316**
- Finish: PSS



GS 200D 1A

One Way Spider

- Material: Stainless Steel
- Grade: **SS304/SS316**
- Finish: PSS



AUTOMATIC SLIDING DOOR

GT 2008 (Concealing)
Automatic Sliding Door



Technical Data

- Operating style: Intelligent Single Motor Driving (60W)
- Opening way : One way (1 Leaf)or two-way (Double leaf)
- Track Length : 2100mm, 3000mm, 4200mm,6000mm
- Max Loading : Single leaf ≤ 150kg. double leaf ≤ 300kg
- Entrance width : 600 ~ 1500mm/leaf
- Opening speed (adjustable): 100~500mm/s
- Closing speed(adjustable): 100~500mm/s
- Creeping speed (adjustable): 30~100mm/s
- Hold-open time: 0~9s
- Ambient temperature: -25° C~+50° C

GT 2000

Automatic Sliding Door



Technical Data

- ▶ Operating style: Intelligent Single Motor Driving (60W)
- ▶ Opening way : One way (1 Leaf)or two-way (Double leaf)
- ▶ Track Length : 2100mm, 3000mm, 4200mm,6000mm
- ▶ Max Loading : Single leaf ≤ 100kg. double leaf ≤ 200kg
- ▶ Entrance width : 600~ 1500mm/leaf
- ▶ Opening speed (adjustable): 100~500mm/s
- ▶ Closing speed(adjustable): 100~500mm/s
- ▶ Creeping speed (adjustable): 30~100mm/s
- ▶ Hold-open time: 0~9s
- ▶ Ambient temperature: -25° C~+50° C

MOTOR



- ▶ Rated Voltage : DC24V
- ▶ Rated Power: 60 W-80W
- ▶ Rated Current: 4 A
- ▶ Advance DC brushless motor, integrated with intelligent Hall decoder. The motor thus obtains a self- learning function.
- ▶ The geared worm is also integrated inside the motor, making the motor have higher efficiency, bigger torque and longer life- span.
- ▶ The low motor noise benefits from the precise manufacturing technology and direct drive gear



Corporate Office : Singapore

Doormio

106 Gangsa Road
#02- 135, Singapore
web: www.doormio.com

Regional Office: India

Doormio

Kerala- 670 001
Tell: +91 860 688 6007
email: customercare@doormio.com
salesdoormio@gmail.com